

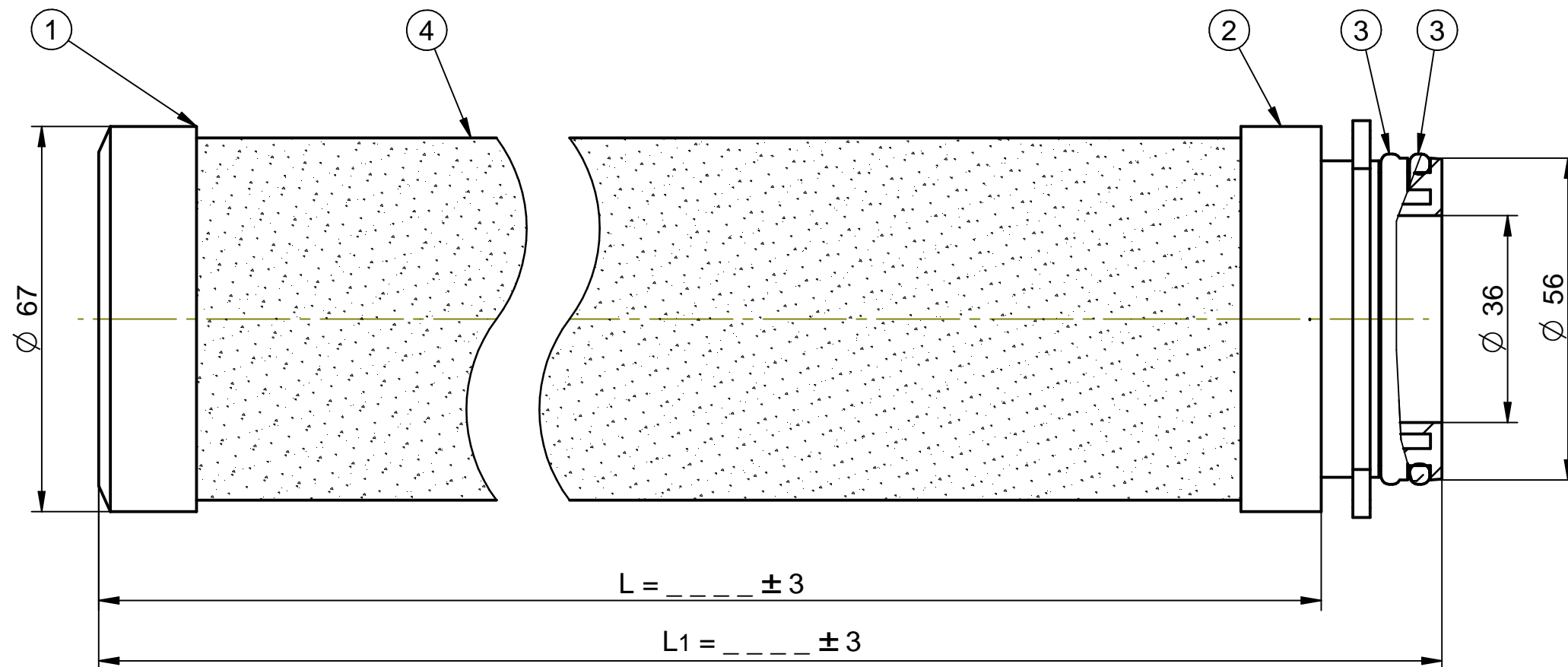
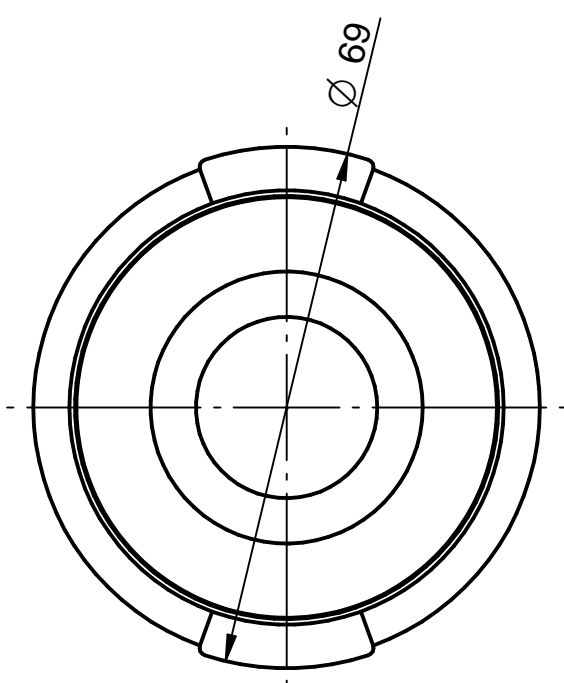


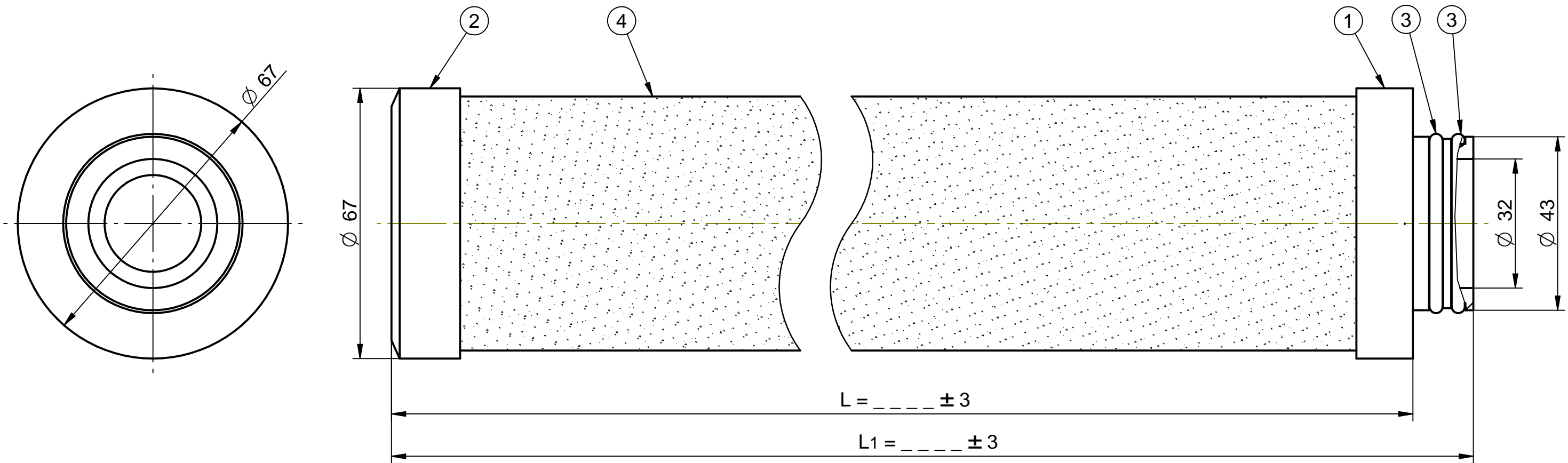
	L = mm.
9"3/4	247
10"	254
20"	508
30"	762
40"	1016

1	_____	MATERIALE FILTRANTE	1	PP
2	_____	SUPPORTO INTERNO	1	PP
POS.	CODE	DENOMINATION	QUANTITY	MATERIALS
ALL DIMENSIONS MILLIMETERS	ALL SURFACES FINISH ROUGHNESS IN Ra µm	GENERAL TOLLERANCES UNLESS OTHERWISE SPECIFIED UNI-EN 22768-mK UNI-EN 22768-c	NOT QUOTED FILLET R=0.3 CHAMFER 0.3x45°	
SIMILAR TO	CRITICAL INDEX	WORK ORDER	JOB	QUANTITY
				DRAWN DATE 31/01/2019 BY Tecnico
				APPROVED DATE - BY -
DENOMINATION N99G _____			CODE N99G _____	REV. ST
			MODIFICATION	
			DATE	BY
REPRODUCTION IS PROHIBITED - ALL RIGHTS RESERVED ACCORDING TO THE LAW			SCALE 1:1	PROJECTION 



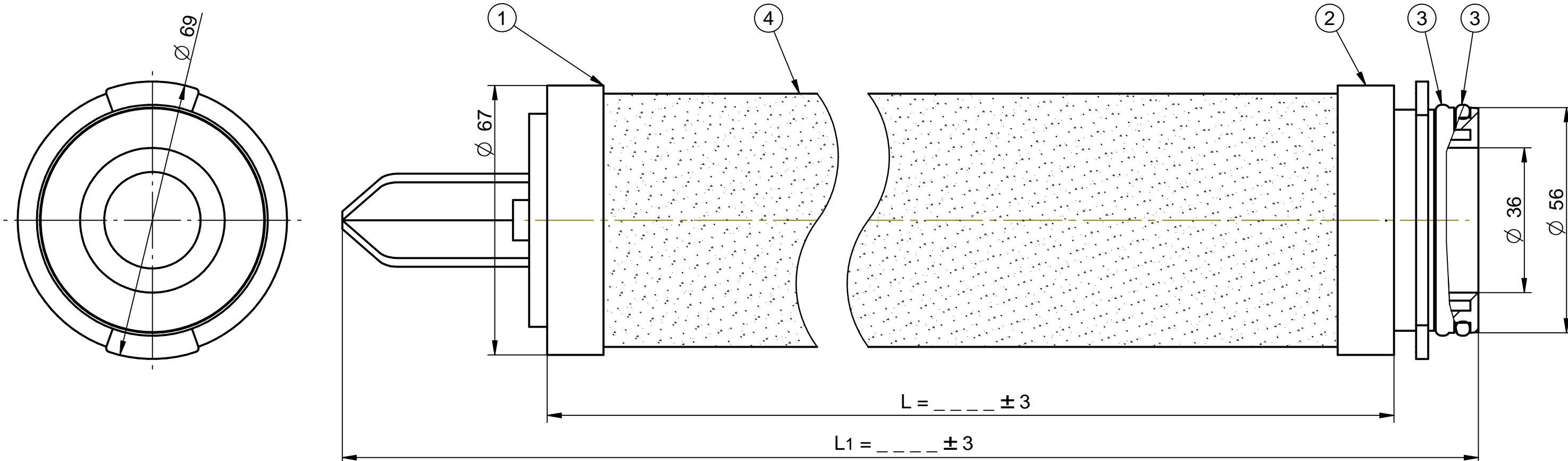
	L =	L1 =
9"3/4	230	251
10"	236	257
20"	490	511
30"	744	765
40"	998	1019

1	040030200PP0000	ATTACCO FLAT	1	PP
2	040030300PP0000	ATTACCO 226	1	PP
3	040029900SI0000	O-RING 226 D.50,39x3,53x57,45	2	Silicone
4	N99G_ _ _ _ ST	N99G_ _ _ _	1	
POS.	CODE	DENOMINATION	QUANTITY	MATERIALS
ALL DIMENSIONS MILLIMETERS		ALL SURFACES FINISH ROUGHNESS IN Ra µm	GENERAL TOLLERANCES UNLESS OTHERWISE SPECIFIED UNI-EN 22768-mK UNI-EN 22768-c	
SIMILAR TO		CRITICAL INDEX	WORK ORDER	JOB
DRAWN DATE 01/02/2019		APPROVED DATE -		BY -
BY Tecnico		BY -		
DENOMINATION N99G_ _ _ _			CODE N99G_ _ _ _	REV. C2S
			MODIFICATION	DATE
<small>EVERBLUE srl - www.everblue.it - info@everblue.it</small> REPRODUCTION IS PROHIBITED - ALL RIGHTS RESERVED ACCORDING TO THE LAW			SCALE 1:1	PROJECTION




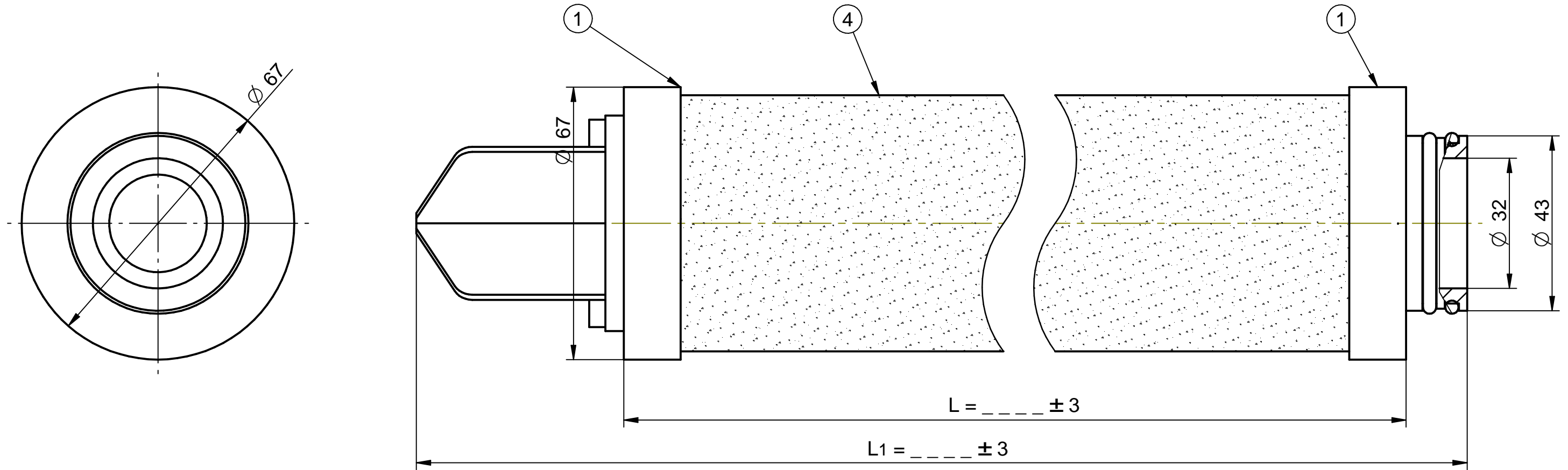
	L =	L1 =
9"3/4	230	246
10"	236	254
20"	490	508
30"	744	762
40"	998	1016

1	040030100PP0000	ATTACCO 222	1	PP
2	040030200PP0000	ATTACCO FLAT	1	PP
3	040030000SI0000	O-RING 222 D.37,69x3,53x44,75	2	Silicone
4	N99G_ _ _ _ ST	N99G_ _ _ _	1	
POS.	CODE	DENOMINATION	QUANTITY	MATERIALS
ALL DIMENSIONS MILLIMETERS		ALL SURFACES FINISH ROUGHNESS IN Ra μm	GENERAL TOLLERANCES UNLESS OTHERWISE SPECIFIED UNI-EN 22768-mK UNI-EN 22768-c	
SIMILAR TO		CRITICAL INDEX	WORK ORDER	JOB
DRAWN DATE 01/02/2019		APPROVED DATE -		BY -
BY Tecnico		BY -		
DENOMINATION N99G_ _ _ _			CODE N99G_ _ _ _	REV. C3S
Everblue			MODIFICATION	DATE
REPRODUCTION IS PROHIBITED - ALL RIGHTS RESERVED ACCORDING TO THE LAW			SCALE 1:1	PROJECTION



	L =	L1 =
9"3/4	228	300
10"	234	306
20"	488	560
30"	742	814
40"	996	1068

1	040030400PP0000	ATTACCO SPEAR	1	PP
2	040030300PP0000	ATTACCO 226	1	PP
3	040029900SI0000	O-RING 226 D.50,39x3,53x57,45	2	Silicone
4	N99G_ _ _ _ ST	N99G_ _ _ _	1	
POS.	CODE	DENOMINATION	QUANTITY	MATERIALS
ALL DIMENSIONS MILLIMETERS		ALL SURFACES FINISH ROUGHNESS IN Ra μ m	GENERAL TOLLERANCES UNLESS OTHERWISE SPECIFIED UNI-EN 22768-mK UNI-EN 22768-c	
SIMILAR TO		CRITICAL INDEX	WORK ORDER	JOB
DRAWN DATE 01/02/2019		APPROVED DATE -		BY -
BY Tecnico		BY -		
DENOMINATION N99G_ _ _ _			CODE N99G_ _ _ _	REV. C7S
			MODIFICATION	DATE
<small>EVERBLUE srl - www.everblue.it - info@everblue.it</small> REPRODUCTION IS PROHIBITED - ALL RIGHTS RESERVED ACCORDING TO THE LAW			SCALE 1:1	PROJECTION



	L =	L1 =
9"3/4	228	294
10"	234	300
20"	488	554
30"	742	808
40"	996	1062

1	040030100PP0000	ATTACCO 222	1	PP
2	040030400PP0000	ATTACCO SPEAR	1	PP
3	040030000SI0000	O-RING 222 D.37,69x3,53x44,75	2	Silicone
4	N99G_ _ _ _ ST	N99G_ _ _ _	1	
POS.	CODE	DENOMINATION	QUANTITY	MATERIALS
ALL DIMENSIONS MILLIMETERS		ALL SURFACES FINISH ROUGHNESS IN Ra μ m	GENERAL TOLLERANCES UNLESS OTHERWISE SPECIFIED UNI-EN 22768-mK UNI-EN 22768-c	
		NOT QUOTED		FILLET R=0.3 CHAMFER 0.3x45°
SIMILAR TO	CRITICAL INDEX	WORK ORDER	JOB	QUANTITY
				DRAWN DATE 01/02/2019 BY Tecnico
DENOMINATION N99G_ _ _ _			CODE N99G_ _ _ _	REV. C8S
		MODIFICATION		DATE
				BY
REPRODUCTION IS PROHIBITED - ALL RIGHTS RESERVED ACCORDING TO THE LAW			SCALE 1:1	PROJECTION